



ROLLER
HINGES



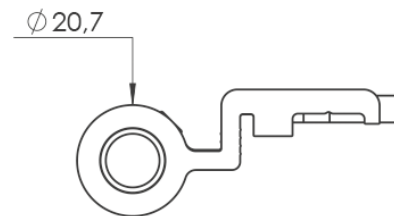
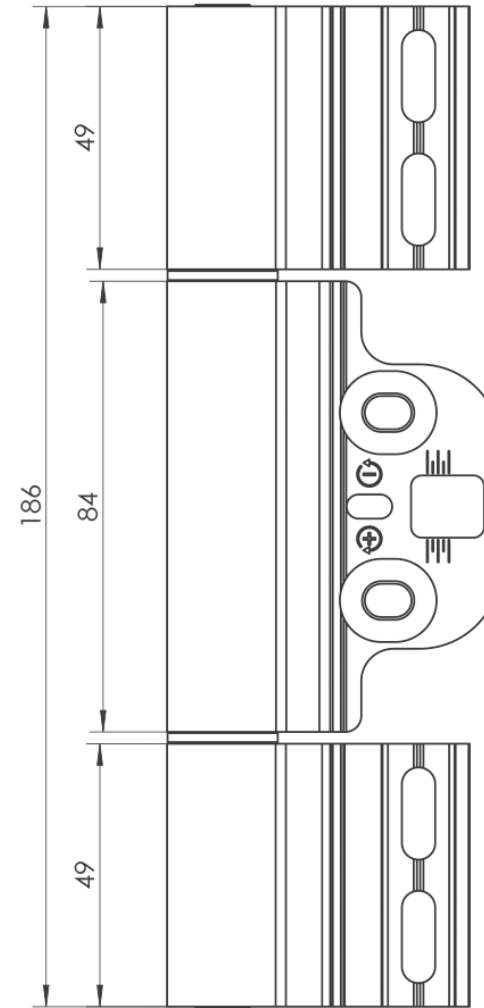


ROLLER
HINGE
WR-2R



ROLLER HINGES WR-2R

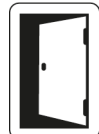
- | | |
|--|---|
|  |  |
| 7016 | 7021 |
|  |  |
| 7024 | 9005 |
|  |  |
| 8077 | 8019 |
|  |  |
| 8017 | 8003 |
|  |  |
| 9001 | 1036W |
|  |  |
| 9010 | 9016 |
|  |  |
| 7035 | 9006 |
|  |  |
| ANODE NATURAL | INOX COATING |
|  | |
| RAL | |
|  |  |
| GOLDEN OAK | WALNUT |



ROLLER HINGES WR-2R

FOR USE IN EMERGENCY EXIT DOORS

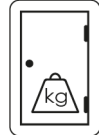
WR-2R HINGE CLASSIFICATION
EN 1935:2002 + EN 1935:2002/AC:2003



4/4 - SERVICE CLESSES



7/7 - DURABILITY



7/7 - WEIGHT OF TEST DOOR



0/1 - FIRE RESISTANCE



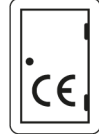
1/1 - SECURITY



4/4 - CORROSION RESISTANCE



1/1 - INTRUSION PROTECTION



14/14 - HINGE CLASS



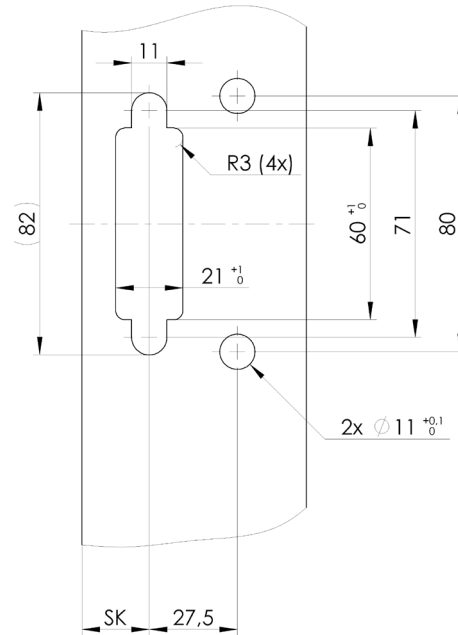
ROLLER HINGES WR-2R

ADS

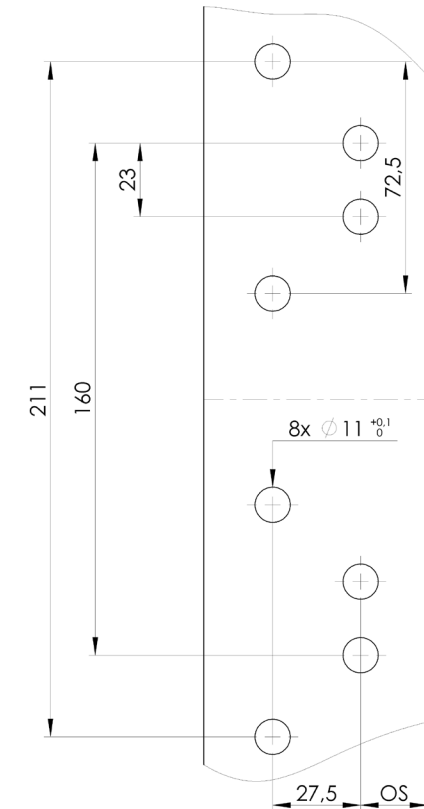
The hinge is also available with cover made of 304 stainless steel, that works best with anodized wings. External dimension of the cover: $\text{Ø}22,5$ mm.



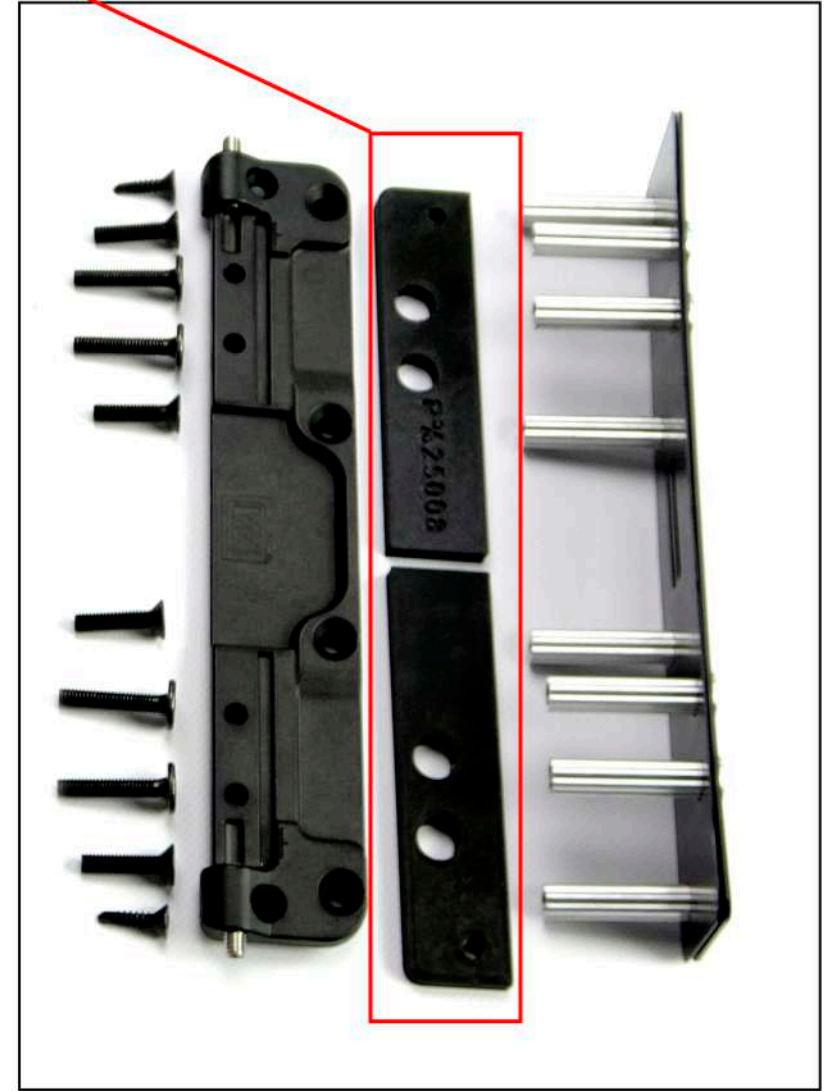
LASH PROFILE PROCESSING



FRAME PROFILE PROCESSING



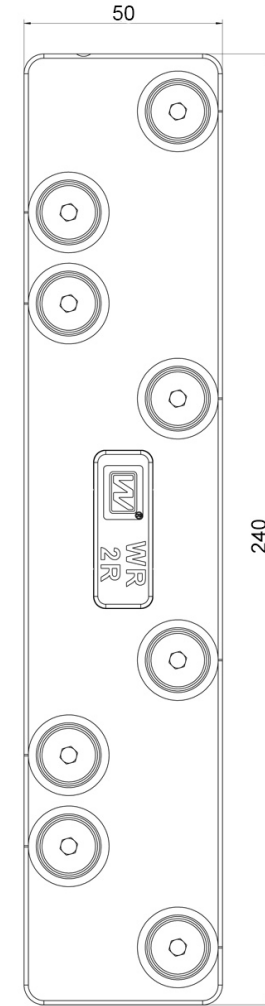
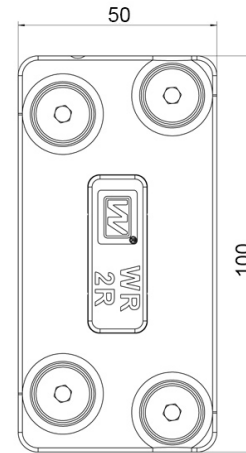
SUPPORTING ELEMENTS OF THE DOOR FRAME AND LEAF
ARE OPTIONALLY APPLIED, DEPENDING ON THE ALUMINIUM SYSTEM



ASSEMBLY ELEMENTS
OF A DOOR SASH

ASSEMBLY ELEMENTS
OF A DOOR FRAME

MOUNTING SET ROLLER HINGES WR-2R



LOAD SELECTION WR-2R

If the distance between hinges in the middle of a door exceeds 1500mm, we suggest using additional hinge which caulks the door.



Private building



Door closer



Public building

W S	700	800	900	1000	1100	1200	1300	1400
2000					110	105	95	90
2100					115	110	105	95
2200					120	120	115	100
2300							115	110
2400					120	120	115	110
2500							115	
2600					120	120	120	120
2700								
2800								
2900								
3000								

W S	700	800	900	1000	1100	1200	1300	1400
2000					140	135	125	120
2100					145	140	135	125
2200					150	150	145	140
2300							145	140
2400					150	150	145	140
2500							145	
2600					150	150	150	150
2700								
2800								
2900								
3000								

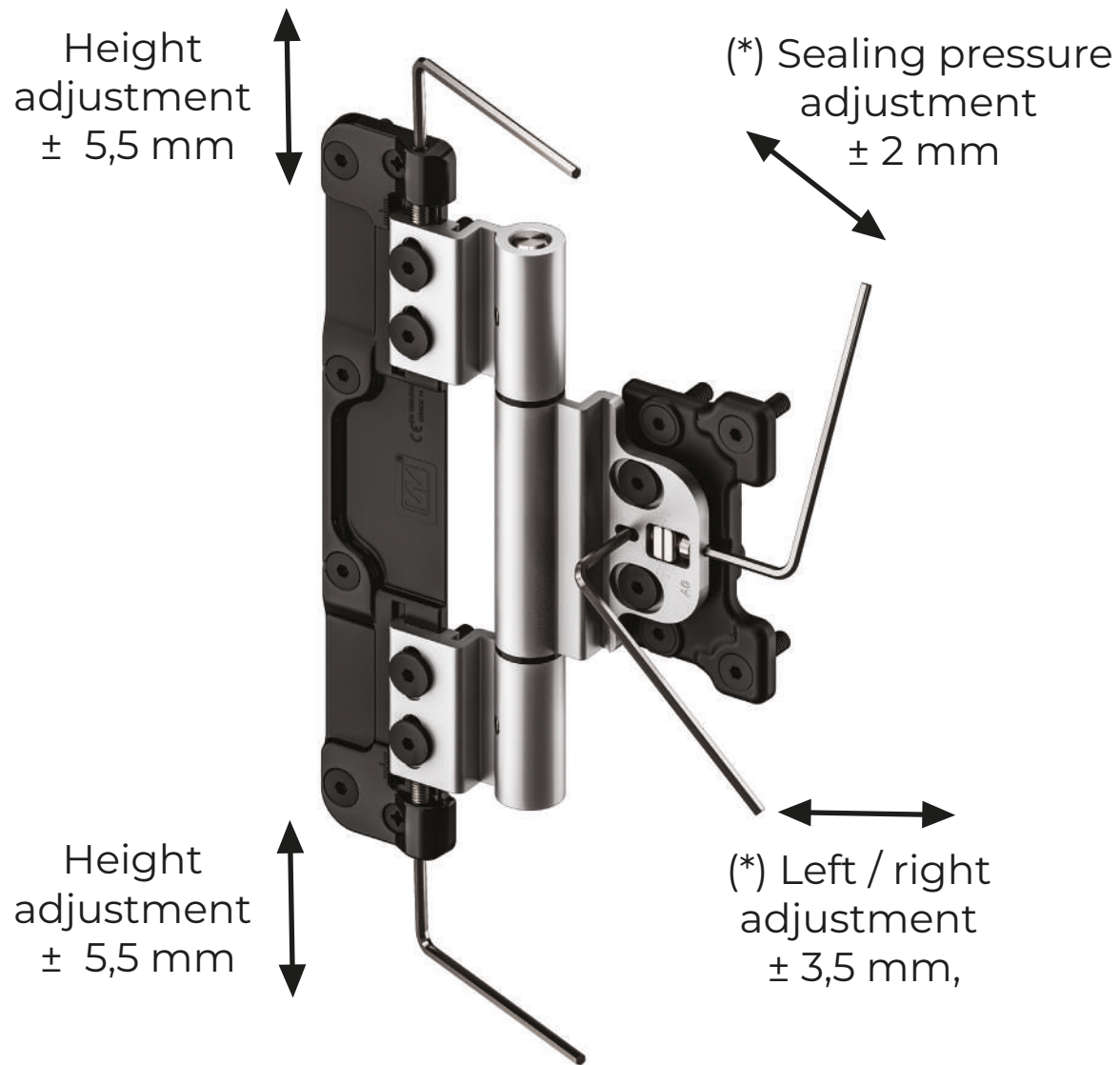
W S	700	800	900	1000	1100	1200	1300	1400
2000					111	107	103	99
2100					116	111	107	103
2200					120	120	116	107
2300							116	111
2400					120	120	116	111
2500							116	
2600					120	120	120	120
2700								
2800								
2900								
3000								

W S	700	800	900	1000	1100	1200	1300	1400
2000					91	87	83	79
2100					96	91	87	83
2200					100	100	96	87
2300							96	91
2400					100	100	96	91
2500							96	
2600					100	100	100	100
2700								
2800								
2900								
3000								

W S	700	800	900	1000	1100	1200	1300	1400
2000					170	165	155	150
2100					175	170	165	155
2200					180	180	175	160
2300							175	170
2400					180	180	175	170
2500							175	
2600					180	180	180	180
2700								
2800								
2900								
3000								



ADJUSTMENT FOR ROLLER HINGES WR-2R



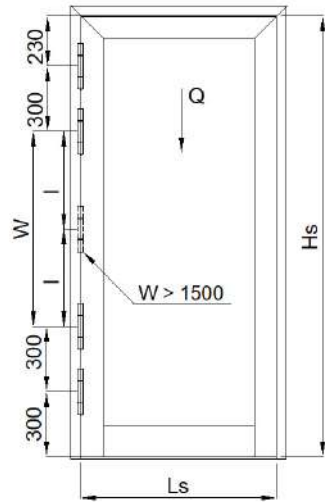
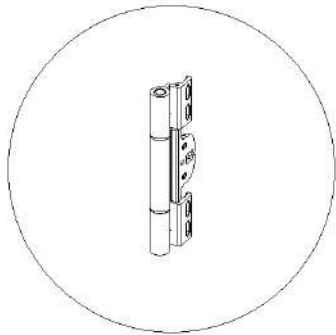
Full adjustment range of the gap (left/right) in negative direction for most aluminium systems can be achieved by milling the door profile and covering it with the mask.



(*) – adjustment in the negative direction can be very limited depending on aluminium system



PATTERNS FOR DRILLING WR-2R



	LASH PROFILE	LASH PROFILE	FRAME PROFILE	DYSTANSES
WR-1R				
WR-2R				





WALA Sp. z o.o.
ul. Parkowa 16
43-365 Wilkowice

wala@wala.pl
tel. +48 33 82 72 390
kom. +48 725 70 80 30
www.wala.pl

